



EASY ASSIST 200 HD

**OPERATING
MANUAL**



Easy Assist 200 HD
Direct to Radio Call Button
EA - 200 - HD

Powered by Alert Tech

Table of Contents

Introduction.....	4
RF Safety and FCC	5
Canadian Compliance	6
Safety and Information.....	7
EasyAssist HD Controls.....	8
Instructions	
..... LCD Display.....	9
..... LCD Wakeup.....	10
..... Scrolling Menu.....	11
..... Frequency Selection.....	12
..... Code Selection.....	13
..... Message Recording.....	14
..... Message Playback.....	15
..... Volume Adjustment.....	16
..... LCD Contrast.....	17
..... User Defined Frequencies.....	18
Continued	

Table of Contents

Instructions	
.....Call Cycles.....	19
.....Cycle Delay.....	20
Frequency Selection Chart.....	21-22
CTCSS Chart.....	23-25

RF Safety & FCC Compliance

5

RF Safety and Compliance

EasyAssist is a device that complies with part 15 of the FCC rules. Operation is subject to the condition that this device does not cause harmful interference.

Changes or modifications not expressly approved by manufacturer could void the users authority to operate the equipment.

You may be required to obtain and maintain a license from the FCC to operate this device in your environment. Please contact the FCC via the following information to insure your compliance.

Federal Communications Commission
445 12th Street, SW
Washington, DC 20554
1-888-225-5322 (1-888-CALL FCC) Voice: toll free
1-888-835-5322 (1-888-TELL FCC) TTY: toll free



FCC ID: Y5JEA1103

Safety and Information

The EasyAssist requires care in mounting and servicing. Observing the following precautions will ensure the proper function and safety of the unit.

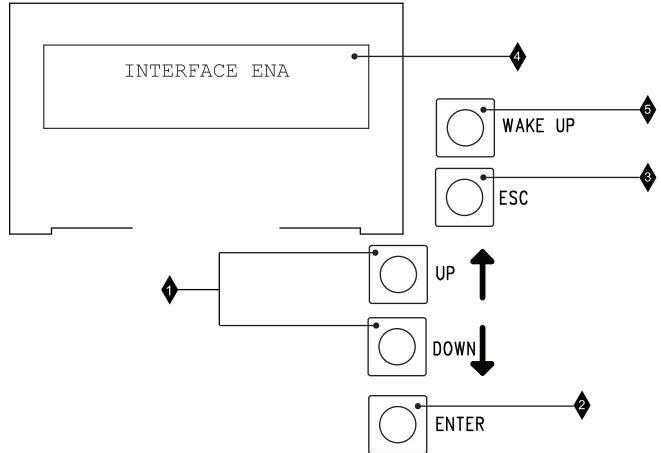
CAUTION!

- Do not screw through the device to mount to a surface.
- This equipment contains potentially hazardous voltages. Do not attempt to disassemble the unit.
- Except for the batteries, this unit contains absolutely no user serviceable components and all service should be completed only by qualified service personnel.
- Do not dispose of batteries in fire. The batteries may explode.
- Do not open or mutilate the batteries, they contain dangerous electrolytes.
- Operating this unit in any capacity other than its intended purpose may result in system failure and possible injury and voids any and all warranty.

EasyAssist HD Controls

Available Controls and Components

1. **Menu Select**
2. **Enter** Button
3. **Esc** Button
4. **Display**
5. **Wake Up** Button



LCD Display

Initial Power-Up

Once the batteries are installed in the unit, the LCD display will show the following:

```
INTERFACE ENA  
-ESC to EXIT-
```

If the USB Serial Interface is not to be used, go ahead and press the **ESC** button to exit out of this mode. The normal status screen will be shown on the display. If nothing is pressed, the unit will go into sleep mode after 60 seconds and the screen will go blank.

```
Freq No: 6  
MHZ:467.8750
```

```
CTCSS Code: 12  
100.0 Hz Ana
```

Status Screen

The Status Screen will toggle the current Frequency and CTCSS setting continuously.

LCD Wakeup


LCD Wakeup

In most cases the display will be in sleep mode when needing to configure the unit. In order to get to the **Menu** options, press the **Wakeup** button on the unit. The large round button will flash indicating it is awake. The display is still disabled until any LCD menu control button is pressed. By pressing the Menu **Up** or Menu **Down** **button**, the Status Screen will appear.

Scrolling Through Menu

By scrolling through the menu options, you will be able to setup preferred features on your EasyAssist. Press the **Menu** button to scroll through menus.

When scrolling through the **Menu**, your radio features will be displayed in the preset order below:

- 
- Set Radio Frequency
 - Set Radio Code
 - Message Record
 - Message Playback
 - Volume Adjust
 - LCD Contrast
 - User Defined Frequency
 - Software Version
 - Call Cycles
 - Cycle Delay

Frequency / Code Selection

Set Radio Frequency

When the unit is awake and displaying the Status Screen press the UP or Down Menu buttons until “Radio Freq?” appears.

```
Radio Freq?
```

Press **Enter**.

```
Old: 6 467.8750  
New: 6 467.8750
```

Press **Up** or **Down** to select new frequency.

```
Old: 6 467.8750  
New: 2 464.5500
```

Press **Enter** to select new frequency.

```
Old: 6 467.8750  
**Freq Updated
```

Press **Enter** to select new frequency.

Now the radio is programmed with the new frequency selected.

Frequency / Code Selection

13

Set Radio Code

Press **Up** or **Down** button until “**Radio Code?**” appears.

```
Radio Code?
```

Press **Enter**.

```
Old:12 100.0 Hz  
New:12 100.0 Hz
```

Press **Up** or **Down** to select new code.

```
Old:12 100.0 Hz  
New:13 103.5 Hz
```

Press **Enter** to select new code.

```
Old:12 100.Hz  
**Code Updated
```

Press **Enter** to select new code.

The radio is now programmed with the new CTCSS code.

Message Recording

14

Message Recording

Press **Up** or **Down** button until “**Msg Record?**” appears.

Msg Record?

Press **Enter**.

Select Message?
Aux Message

Press **Up** or **Down** to find message to record.

Select Message?
Local Message

Press **Enter** to select message to record.

Hold ENTER Btn
To Record Msg

Hold **Enter** button to record a new message.

The new message will automatically playback to verify it was recorded correctly. Message can be no longer than 10 seconds.

Message Playback

15

Message Playback

Press **Up** or **Down** button until “**Msg Playback?**” appears.

Msg Playback?

Press **Enter**.

Select Message?
Local Message

Press **Up** or **Down** to find message to playback.

Select Message?
Radio Message

Press **Enter** to select message to playback.

-Playback Act-
Radio Message

Select new message to playback or press **Esc** to exit.

Volume Adjustment

Volume Adjustment

Press **Up** or **Down** button until “**Volume Adjust?**” appears.

```
Volume Adjust?
```

Press **Enter**.

```
Speaker Volume?
```

Press **Up** or **Down** to select which volume to adjust. Then press **Enter**.

```
-Speaker Vol-  
Vol(1-63): 45
```

Press **Up** or **Down** until desired volume selection is shown. The volume settings take place immediately. Press **Esc** to exit.

LCD Contrast

LCD Contrast

Press **Up** or **Down** button until “**LCD Contrast?**” appears.

```
LCD Contrast?
```

Press **Enter**.

```
-LCD Contrast-  
(0-15): 0
```

Press **Up** or **Down** until desired contrast selection is shown. The contrast settings take place immediately. Press **Esc** to exit.

If the need arises to adjust the LCD contrast, check the batteries. The batteries may be too weak to operate the unit correctly.

User Defined Frequencies

User Defined Frequencies

If the radios you are using frequencies are not in our predefined set, you can reset them in this area.

There are placeholders for 5 channels, 57-61.

Press **Up** or **Down** button until “**User Def Freq?**” appears.

User Def Freq?

Press **Enter**.

Mem Location?
(57-61) : 57

Press **Up** or **Down** to select which memory location to define.

57 Old:467.8750
New:467.8750

Use **Up** or **Down** to select new frequency. Press **Enter**. Press **Esc** to exit without any changes.

Press-and-Hold the **Up** or **Down** button for faster increments in the frequency change.

Call Cycles

Call Cycles

Press **Up** or **Down** button until “**Call Cycles?**” appears.

Call Cycles?

Press **Enter**.

Old: 2 cycles
New: 2 cycles

Press **Up** or **Down** to increase / decrease the Call Cycle selection. The range is 1-30 cycles. Press **Enter** to select the new Call Cycle.

Call Cycles refer to the repeating RF broadcasts that will occur when the call button is active.

Cycle Delay

Cycle Delay

Press **Up** or **Down** button until “**Cycle Delay?**” appears.

```
Cycle Delay?
```

Press **Enter**.

```
Old: 45 sec  
New: 45 sec
```

Press **Up** or **Down** to increase / decrease the Cycle Delay selection. The range is 10-180 seconds. Press **Enter** to select the new Call Cycle.

Cycle Delay refers to the delay (in seconds) between repeating RF broadcasts that occur when the call button (or aux button) is active.

Frequency Selection Chart

Freq. No.	Freq. Value	Freq. No.	Freq. Value
1	464.5000	17	461.2375
2	464.5500	18	461.2625
3	467.7625	19	461.2875
4	467.8125	20	461.3125
5	467.8500	21	461.3375
6	467.8750	22	461.3625
7	467.9000	23	462.7625
8	467.9250	24	462.7875
9	461.0375	25	462.8125
10	461.6025	26	462.8375
11	461.0875	27	462.8625
12	461.1125	28	462.8875
13	461.1375	29	462.9125
14	461.1625	30	464.4875
15	461.1875	31	464.4875
16	461.2125	32	464.5375

Frequency Selection Chart

Freq. No	Freq. Value	Freq. No.	Freq. Value
33	464.5625	49	467.8375
34	466.0375	50	467.8625
35	466.0625	51	467.8875
36	466.0875	52	467.9125
37	466.1125	53	469.4875
38	466.1625	54	469.5125
39	466.1625	55	469.5375
40	466.1875	56	469.5625
41	466.2125	57	User Defined
42	466.2375	58	User Defined
43	466.2625	59	User Defined
44	466.2875	60	User Defined
45	466.3125	61	User Defined
46	466.3375		
47	466.3625		
48	467.7875		

CTCSS Chart (Analog)

23

No.	Code Hz	No.	Code Hz	No.	Code Hz
1	67.0	14	107.2	27	167.9
2	71.9	15	110.9	28	173.8
3	74.4	16	114.8	29	179.9
4	77.0	17	118.8	30	186.2
5	79.7	18	123.0	31	192.8
6	82.5	19	127.3	32	203.5
7	85.4	20	131.8	33	210.7
8	88.5	21	136.5	34	218.1
9	91.5	22	141.3	35	225.7
10	94.8	23	146.2	36	233.6
11	97.4	24	151.4	37	241.8
12	100.0	25	156.7	38	250.3
13	103.5	26	162.2		

CTCSS Chart (Digital)

No.	Code	No.	Code	No.	Code
39	023	54	115	69	223
40	025	55	116	70	226
41	026	56	125	71	243
42	031	57	131	72	244
43	032	58	132	73	245
44	043	59	134	74	251
45	047	60	143	75	261
46	051	61	152	76	263
47	054	62	155	77	265
48	065	63	156	78	271
49	071	64	162	79	306
50	072	65	165	80	311
51	073	66	172	81	315
52	074	67	174	82	331
53	114	68	205	83	343

CTCSS Chart (Digital)

No.	Code	No.	Code	No.	Code
84	346	99	503	114	703
85	351	100	506	115	712
86	364	101	516	116	723
87	365	102	532	117	731
88	371	103	546	118	732
89	411	104	565	119	734
90	412	105	606	120	743
91	413	106	612	121	754
92	423	107	624		
93	431	108	627		
94	432	109	631		
95	445	110	632		
96	464	111	654		
97	465	112	662		
98	466	113	664		